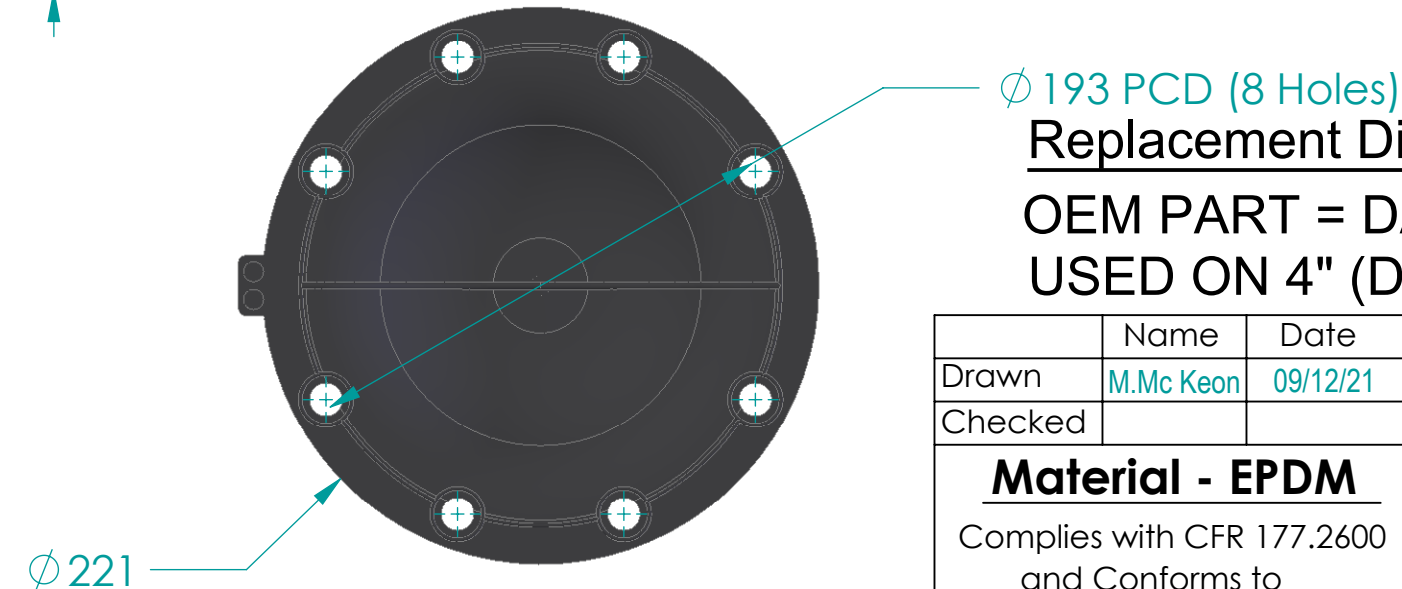
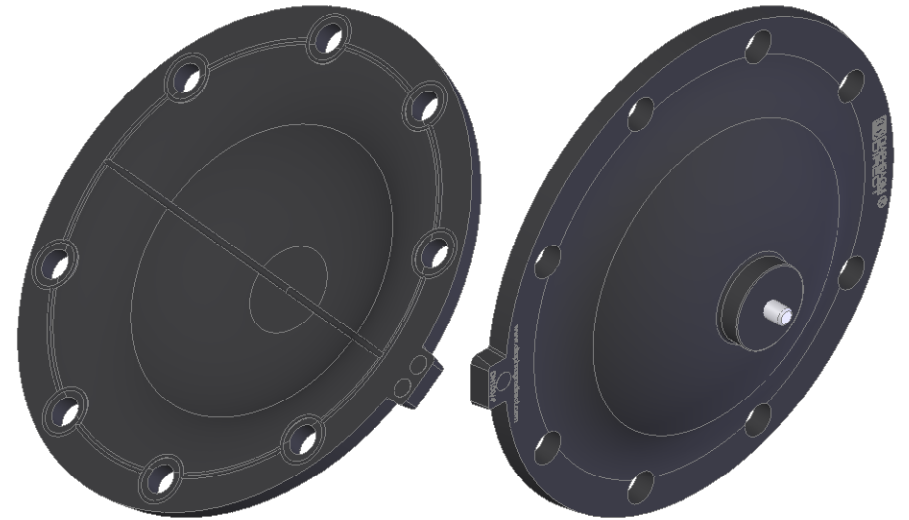
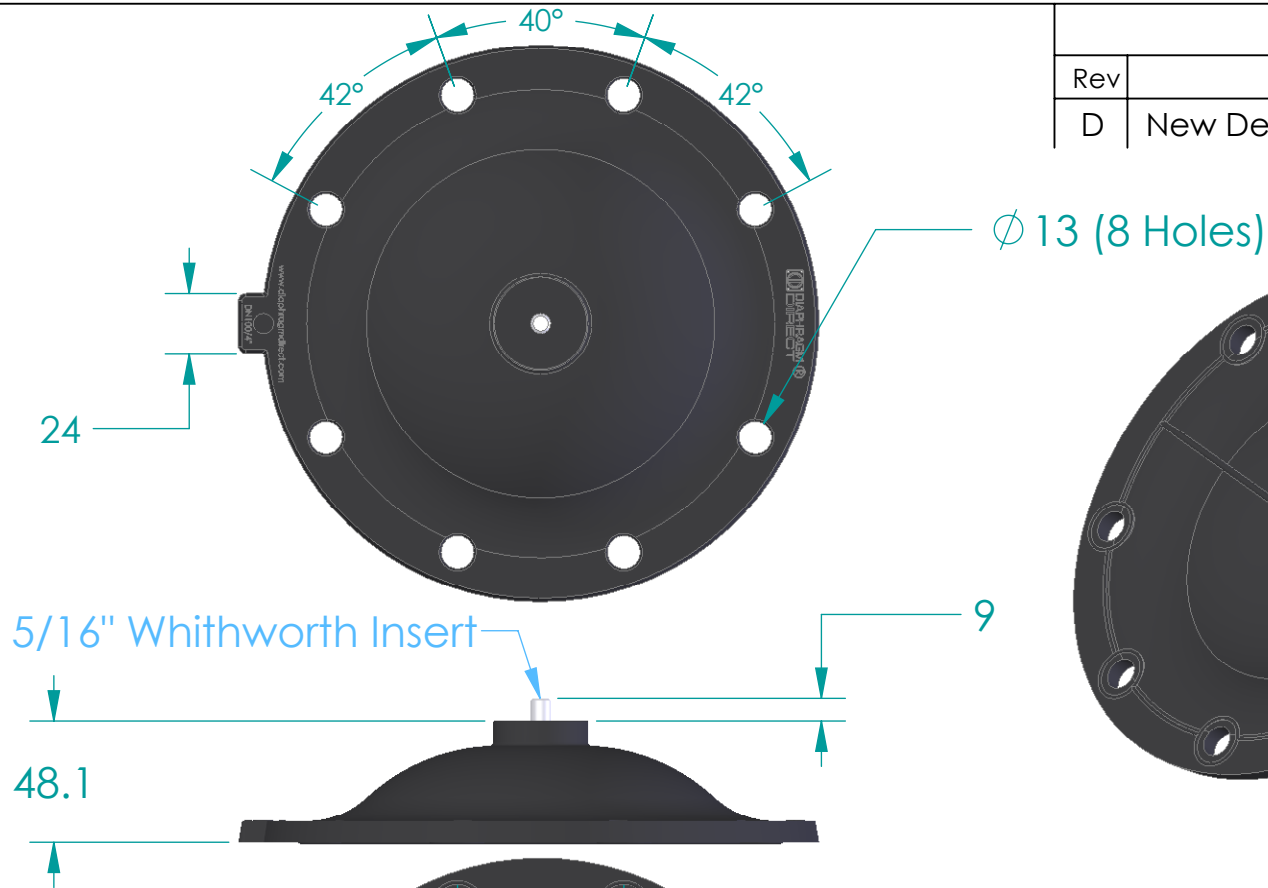


# Revision History


Rev	Description	Date	Approved
D	New Design & Part no. DA100ER	07/12/21	JB



## Replacement Diaphragm for:-

OEM PART = DA100ER

USED ON 4" (DN100) Diaphragm Valve

	Name	Date	 <b>DIAPHRAGM DIRECT</b>
Drawn	M.Mc Keon	09/12/21	
Checked			
<b>Material - EPDM</b> Complies with CFR 177.2600 and Conforms to USP Class VI Biological Reactivity Tests Section #87 and #88			TITLE <b>DD40-SE7</b>
Size A	FOOT PRINT DIMENSIONS		Rev D
File-	DD40-SE7 RevD		
SCALE: 1:3			Sheet 1 of 1

Disclaimer - Diaphragm Direct® does not manufacture, represent, nor sell OEM valves or diaphragms manufactured by any other company. Diaphragm Direct® brand diaphragms are not sponsored by any other manufacturers. Any name, model, part number, brand, image, material or referral is for descriptive purposes only. Diaphragm Direct® brand replacement diaphragms are guaranteed to fit OEM equipment and meet or exceed OEM specifications. Diaphragm Direct® brand replacement diaphragms are covered by the standard Diaphragm Direct® limited product warranty.